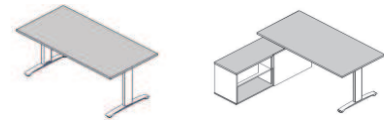


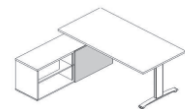
TECHNICAL SPECIFICATION

COLOURS

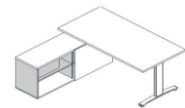
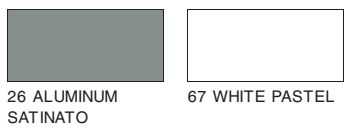
WORKTOP, TOP, BOTTOM



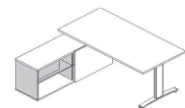
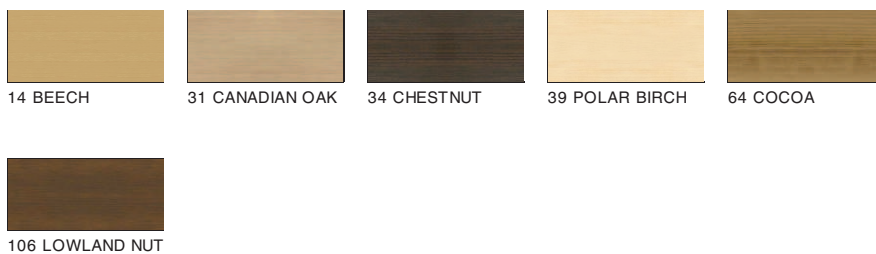
FRONT



BODY - FIRST GROUP



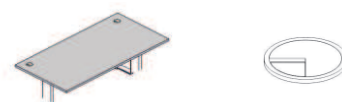
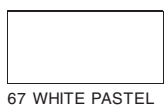
BODY - SECOND GROUP



GROMMET - BLACK



GROMMET - DESKS - WORKTOP, FRAME, MODESTY PANEL



GROMMET - ALUMINIUM



**TECHNICAL SPECIFICATION**

**COLOURS**

**FRAME - (KOLUMNA)**



08 BLACK



09 ALUMINUM



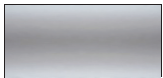
**FRAME - (FOOT)**



09 ALUMINUM



**SINGLE DESK - FOOT (EXTRA CHARGE 22,50€ PER FOOT (1 PIECE), PER DESK 45€)**



25 POLISHED ALUMINUM



**ELECTRIC HEIGHT ADJUSTMENT**

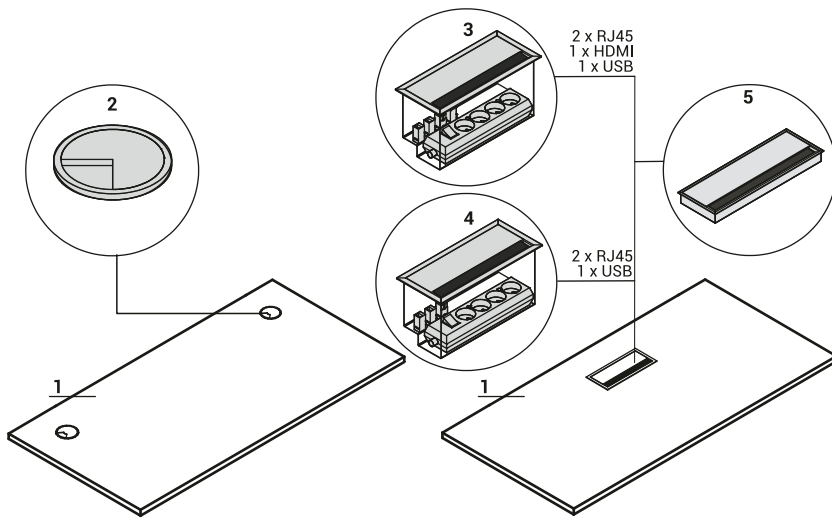


09 ALUMINUM



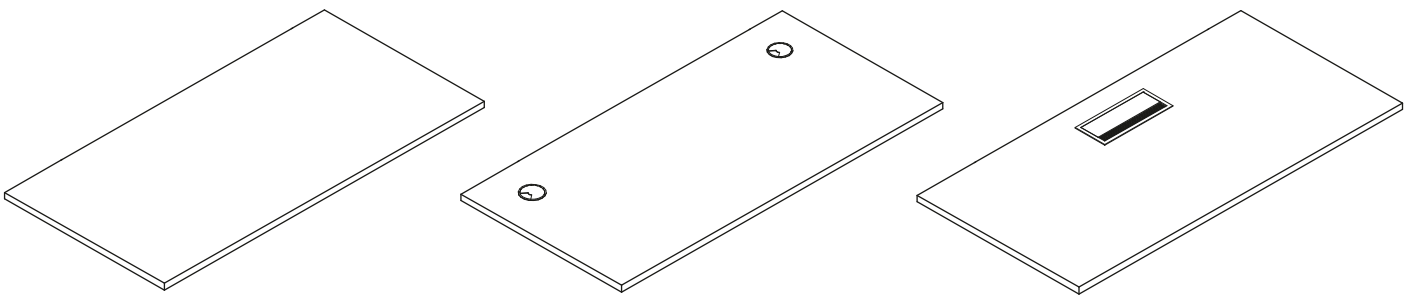
TECHNICAL SPECIFICATION

WORKTOP

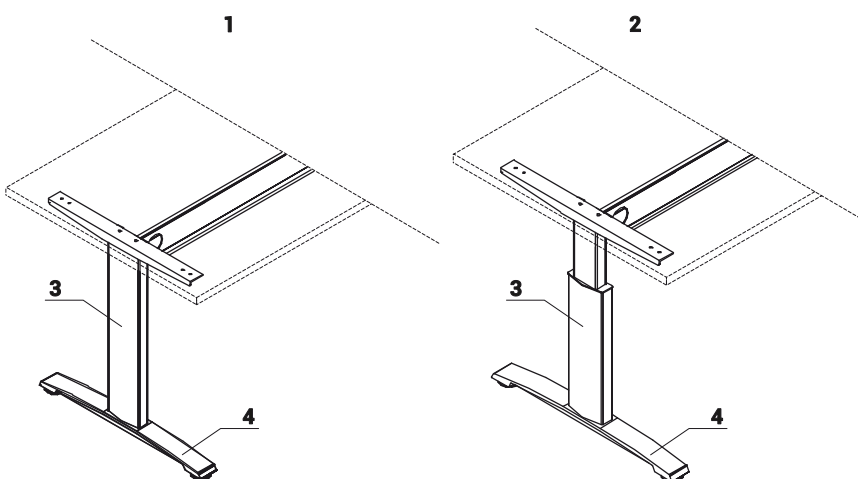


1. **Worktop** - MFC 28mm, PVC edge
2. **Option with additional charge** - 2 x grimmet PVC -  $\varnothing$  80mm
3. **Option with additional charge** - Mediabox M04H - 2xRJ45 (class E, cat. 6) +1 x USB + 1 x HDMI + 4x 230V, colour 09 aluminium
4. **Option with additional charge** - Mediabox M04 - 2xRJ45 (class E, cat. 6) +1 x USB + 4x 230V, colour 09 aluminium
5. **Option with additional charge** - Top access M05 - color 09 - aluminium

WORKTOP - CONFIGURATIONS

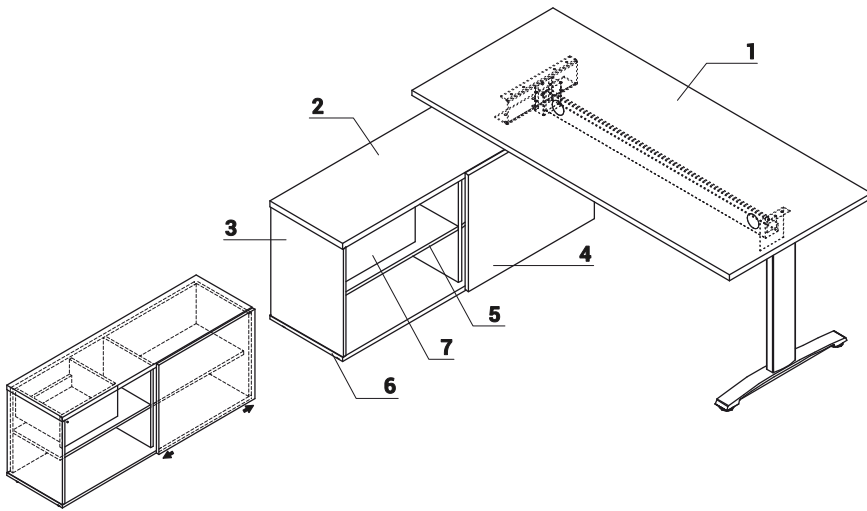


FRAME

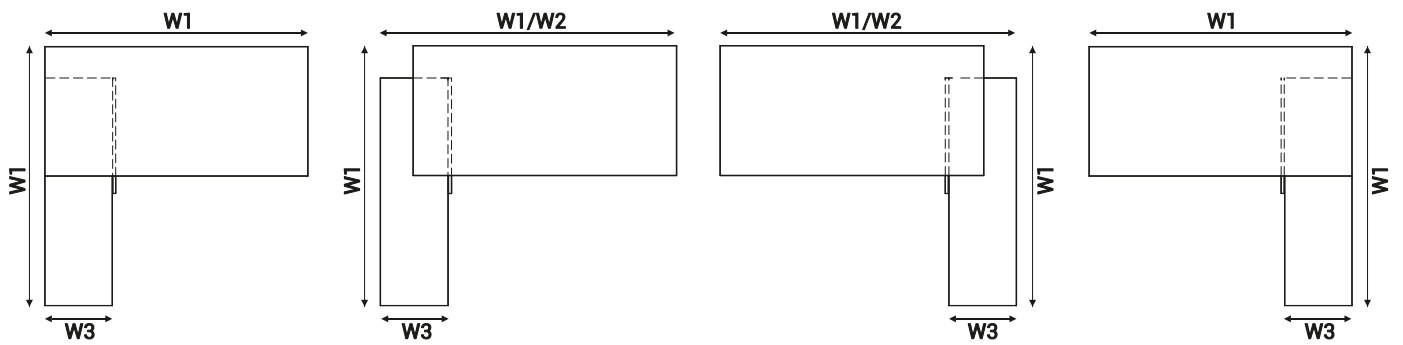


1. **Frame** - no height adjustment - fixed height 740mm
2. **Frame with manual height adjustment** - 620-820mm, every 20mm
3. **Column** - vertical cable management, powder painted steel
4. **Foot** - powder painted or polished aluminum

**TECHNICAL SPECIFICATION**  
**DESK WITH MANAGERIAL STORAGE**

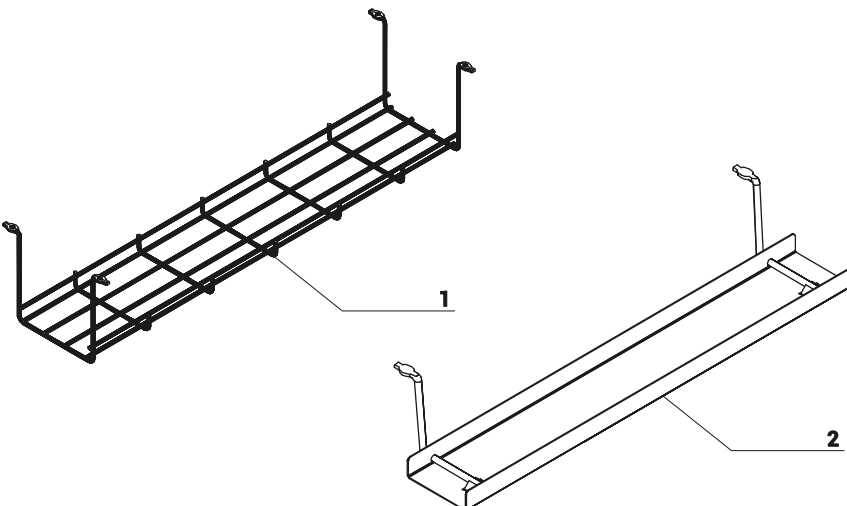


1. **Worktop** - MFC 28mm, PVC edge
2. **Top** - MFC 28mm, PVC edge
3. **Side panels** - MFC 18mm, PVC edge
4. **Sliding front** - MFC 18mm, PVC edge
5. **Shelf** - MFC 18mm, PVC edge
6. **Base** - MFC 18mm, PVC edge
7. **Drawer** - MFC 18mm, PVC edge, lock - possible to change location



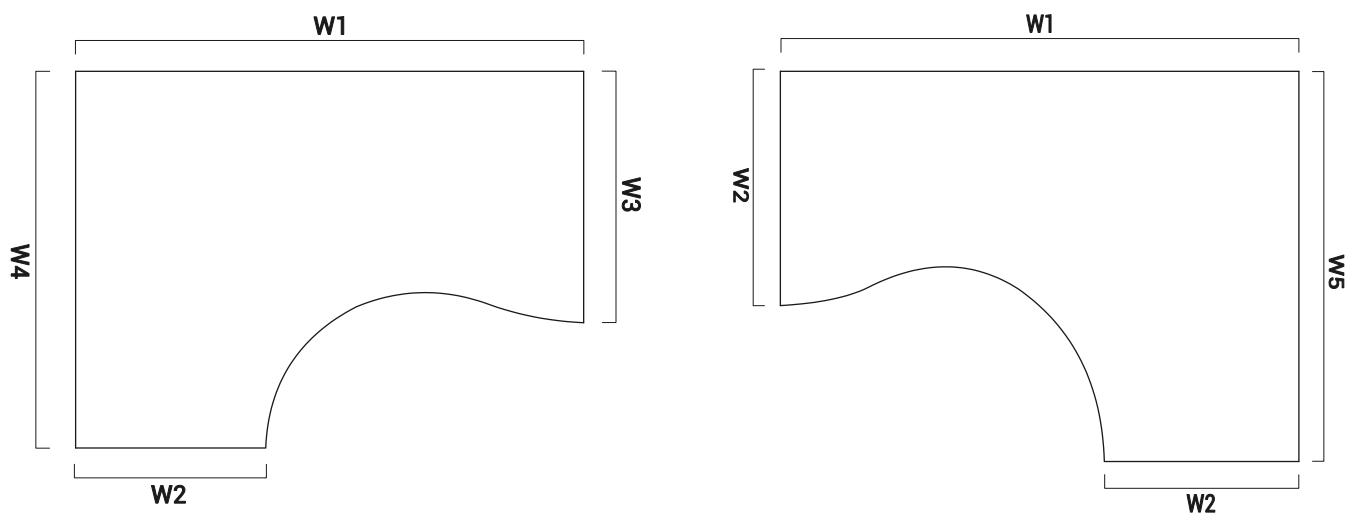
W1 - 1600mm | W2 - 1702mm | W3 - 432mm

**ACCESSORIES**



1. **Horizontal cable tray S69** - powder painted, colour: 09-aluminum
2. **Horizontal cable tray E64** - powder painted, colour: 09-aluminum

TECHNICAL SPECIFICATION



W1 - 1600mm | W2 - 600mm | W3 - 800mm | W4 - 1200mm | W5 - 1000mm

PRODUCT ILLUSTRATION	DIMENSIONS [mm]			INDEX SYMBOL						COMMENTS
	WIDTH	DEPTH	HEIGHT			kg	m3	pcs		

**DESKS**

	800	800	740	<b>BR01</b>		25.0	0.046	5		
	1200	800	740	<b>BR02</b>		33.0	0.060	5		
	1400	800	740	<b>BR03</b>		37.0	0.067	5		
	1600	800	740	<b>BR04</b>		39.9	0.080	5		
	1800	800	740	<b>BR05</b>		44.6	0.082	5		
	800	600	740	<b>BR61</b>		21.9	0.039	5		
	1200	600	740	<b>BR63</b>		27.9	0.051	5		
	1400	600	740	<b>BR64</b>		28.9	0.057	5		
	1600	600	740	<b>BR65</b>		30.9	0.067	5		

DESCRIPTION

- NET WEIGHT

VOLUME

NUMBER OF PACKAGES

PRODUCT ILLUSTRATION	DIMENSIONS [mm]			INDEX SYMBOL						COMMENTS
	WIDTH	DEPTH	HEIGHT			kg	m3	pcs		

**DESKS WITH MANUAL HEIGHT ADJUSTMENT**

	800	800	740	<b>BR01R</b>		25.0	0.046	5		height regulation 620 - 820mm, every 20mm
	1200	800	740	<b>BR02R</b>		33.0	0.060	5		height regulation 620 - 820mm, every 20mm
	1400	800	740	<b>BR03R</b>		37.0	0.067	5		height regulation 620 - 820mm, every 20mm
	1600	800	740	<b>BR04R</b>		39.9	0.080	5		height regulation 620 - 820mm, every 20mm
	1800	800	740	<b>BR05R</b>		44.6	0.082	5		height regulation 620 - 820mm, every 20mm
	800	600	740	<b>BR61R</b>		21.9	0.039	5		height regulation 620 - 820mm, every 20mm
	1200	600	740	<b>BR63R</b>		27.9	0.051	5		height regulation 620 - 820mm, every 20mm
	1400	600	740	<b>BR64R</b>		28.9	0.057	5		height regulation 620 - 820mm, every 20mm
	1600	600	740	<b>BR65R</b>		30.9	0.067	5		height regulation 620 - 820mm, every 20mm

DESCRIPTION

- NET WEIGHT

VOLUME

NUMBER OF PACKAGES

PRODUCT ILLUSTRATION	DIMENSIONS [mm]			INDEX SYMBOL						COMMENTS
	WIDTH	DEPTH	HEIGHT			kg	m3	pcs		

**RADIAL DESKS**

	1600	1200	740	<b>BR10</b>		43.9	0.102	5		use adequate supporting leg
	1600	1200	740	<b>BR11</b>		43.9	0.102	5		use adequate supporting leg
	1600	1000	740	<b>BR66</b>		39.9	0.089	5		use adequate supporting leg
	1600	1000	740	<b>BR67</b>		37.6	0.090	5		use adequate supporting leg
	1700	888	740	<b>BR19</b>		39.9	0.086	5		use adequate supporting leg

DESCRIPTION

- NET WEIGHT

VOLUME

NUMBER OF PACKAGES



PRODUCT ILLUSTRATION	DIMENSIONS [mm]			INDEX SYMBOL						COMMENTS
	WIDTH	DEPTH	HEIGHT			kg	m3	pcs		

**RADIAL DESKS WITH MANUAL HEIGHT ADJUSTMENT**

	1600	1200	740	<b>BR10R</b>		43.9	0.102	5		height regulation 620 - 820mm, every 20mm
	1600	1200	740	<b>BR11R</b>		43.9	0.102	5		height regulation 620 - 820mm, every 20mm
	1600	1000	740	<b>BR66R</b>		39.9	0.089	5		height regulation 620 - 820mm, every 20mm
	1600	1000	740	<b>BR67R</b>		37.6	0.090	5		height regulation 620 - 820mm, every 20mm
	1700	888	740	<b>BR19R</b>		39.9	0.086	5		height regulation 620 - 820mm, every 20mm

**DESKS WITH MANAGERIAL SIDE STORAGE**

	1702 1600	1600	740	<b>BRL16</b>		98.1	0.228	13		universal left/right
	1902 1800	1600	740	<b>BRL18</b>		101.5	0.239	13		universal left/right

DESCRIPTION

- NET WEIGHT

VOLUME

NUMBER OF PACKAGES

PRODUCT ILLUSTRATION	DIMENSIONS [mm]			INDEX SYMBOL						COMMENTS
	WIDTH	DEPTH	HEIGHT			kg	m3	pcs		
	80	80	23	<b>PK80</b>		0.1	0.000	1		cable grommet 02-gray, 08-black, 67-white
	275	120	140	<b>M04</b>		0.0	0.001	0		4x230V, 2xRJ45, 1xUSB
	275	120	140	<b>M04H</b>		0.0	0.001	0		4x230V, 2xRJ45, 1xUSB, 1xHDMI
	275	120	25	<b>M05</b>		0.3	0.002	1		TOP ACCESS
	460	110	121	<b>E64</b>		1.0	0.006	0		horizontal cable tray 09 - aluminum
	580	162	123	<b>S69</b>		1.0	0.015	1		09 - aluminum
				<b>AK5</b>		0.2	0.000	1		vertical cable holders 5pcs.
				<b>AK3</b>		0.2	0.000	1		velcro for cable fixing, 02-grey 6 pcs (3 with screws)
	1000	70	35	<b>S82</b>		1.0	0.005	1		cable rack bracket to install cables under desktop

DESCRIPTION

- NET WEIGHT

VOLUME

NUMBER OF PACKAGES

PRODUCT ILLUSTRATION	DIMENSIONS [mm]			INDEX SYMBOL						COMMENTS
	WIDTH	DEPTH	HEIGHT			kg	m3	pcs		
	140	70	750	<b>S81</b>		1.1	0.008	1		vertical cable duct in colour 09-aluminum
	140	140	750	<b>S94</b>		1.0	0.004	1		vertical cable duct - colour 09-aluminum
	212	460	617	<b>S83</b>		2.6	0.027	1		CPU holder, color: 09 aluminium, 15 - metal high gloss white, 154- anthracite
	220	470	148	<b>S73</b>		3.2	0.002	1		computer stand (wheels) 26-aluminum
	610	400	85	<b>C01</b>		0.5	0.010	1		keyboard shelf for desks 800mm deep, 02 grey

DESCRIPTION

- NET WEIGHT

VOLUME

NUMBER OF PACKAGES

